

УДК 625.8
UDC 625.8

QUALITY ASSURANCE DURING ASPHALT CONCRETE MIXTURE TESTING TO DETERMINE ITS GRADING AND BITUMEN CONTENTS

Mozgovyy V.V., Doctor of science, National Transport University, Kyiv, Ukraine
Onyshchenko A., Candidate of science, National Transport University, Kyiv, Ukraine
Baran S., National Transport University, Kyiv, Ukraine
Aksenov S., National Transport University, Kyiv, Ukraine
Kutsman O., National Transport University, Kyiv, Ukraine
Olkhovyy B., National Transport University, Kyiv, Ukraine

ЗАБЕЗПЕЧЕННЯ ЯКОСТІ ВИПРОБУВАНЬ АСФАЛЬТОБЕТОНОЇ СУМІШІ ПРИ ВИЗНАЧЕННІ ЇЇ ЗЕРНОВОГО СКЛАДУ ТА ВМІСТУ БІТУМУ

Мозговий В.В., доктор технічних наук, Національний транспортний університет, Київ, Україна
Онищенко А.М., кандидат технічних наук, Національний транспортний університет, Київ, Україна
Баран С.А., Національний транспортний університет, Київ, Україна
Аксьонов С.Ю., Національний транспортний університет, Київ, Україна
Куцман О.М., Національний транспортний університет, Київ, Україна
Ольховий Б.Ю., Національний транспортний університет, Київ, Україна

ОБЕСПЕЧЕНИЕ КАЧЕСТВА ИСПЫТАНИЙ АСФАЛЬТОБЕТОННОЙ СМЕСИ ПРИ ОПРЕДЕЛЕНИИ ЕЕ ЗЕРНОВОГО СОСТАВА И КОЛИЧЕСТВА БИТУМА

Мозговой В.В., доктор технических наук, Национальный транспортный университет.
Онищенко А.Н., кандидат технических наук, Национальный транспортный университет.
Баран С.А., Национальный транспортный университет.
Аксенов С.Ю., Национальный транспортный университет.
Куцман О.М., Национальный транспортный университет.
Ольховый Б.Ю., Национальный транспортный университет.

Problem formulation. Nowadays there are different methods for the grading determination of asphalt mixture and bitumen content determination. The most common and available one in Ukraine is burning method according DSTU B.V.2.7-89.

Researches, which became the basis of the existing standard burning method to determine the content of bitumen and grading of asphalt mixtures were conducted in 70-ies of XX century at the Department of Road Construction Materials Kyiv Automobile and Highway Institute (now National Transport University), led by Professor H.K. Sunji.

On the basis of the research was proposed a new method - the method of heat treatment method (KADI) [1, 2].

Thus, under the supervision of Professor Sunji there were conducted researches of temperature regime with various stone rocks (granite, limestone, marble, basalt, andesite, and other material) in the temperature range 300-1000 ° C. It was found that the stone materials in the temperature range 300-700 ° C does not change their size distribution, because the optimal temperature conditions for the study of the selected temperature of burning asphalt mixture is 590-600 ° C.

Previous studies have also revealed the time (duration) of burning of stone materials in which there was no destruction of skeletal material.

As a result of laboratory tests, it was found that the asphalt mixture in the selection of components with different components of the tests carried out by heat treatment did not significantly affect each other and the deviation at test on the unit Soxhlet did not exceed 0.4 % of bitumen and 0.6% in mineral powder, which meet the requirements of GOST -12801-71 [6]. In order to test the proposed method there were performed parallel testing of asphalt mixtures obtained from the plant to the current standard method for Soxhlet device and developed a method of heat treatment. These test results are checked against the convergence results.

There have been 27 tests of asphalt concrete mixtures of different compositions derived from plant and deforestation are taken from the urban asphalt road surfaces. To determine the convergence comparative results obtained by thermal method and the Soxhlet method), the method of static treatment.

The calculations to determine the results of the two methods show that differences comparing the results of two methods are included in the confidence interval ($P = 0.95$) and the differences of these values fully satisfy the requirements of GOST 12801-71, that investigated a new method of heat treatment (KADI) may satisfy the requirements [2].

As a result of experimental studies of the proposed method of heat treatment in the laboratory and conducted research in terms of production technology was finally developed the test.

The tests showed high accuracy and stability test results proposed by heat treatment. This suggests that this method is suitable for rapid routine control asphalt mixtures produced at the factory.

Based on the results it was compiled recommendations for the use of the accelerated method of heat treatment (KADI) to determine the composition of asphalt mixtures.

Thus, studies of the thermal method for determining the content of bitumen and asphalt mixes grading under the guidance of prof. Sunji in 1972 - 1975, with the use of a muffle oven for burning of asphalt mixture was allowed to justify the method of testing. This technique provides a complete burnout of bitumen without disturbing the grain of mineral materials [1-3].

Problem statement (statement of the object of the article).

Object of study – grading of asphalt mixtures and bitumen content.

Purpose - study of the quality assurance during asphalt concrete mixture testing to determine its grading and bitumen contents.

The main material of research and explanation of scientific results

Change of asphalt mixture grading after burning

Preparation of asphalt mixture mineral part sampling. Grading and bitumen content for calibrating tests were such Hot mixture. Large Grading. compact asphalt concrete. type A, continuous grading, sort I according to DSTU B V.2.7 -119-2003 [4].

Grading required by DSTU B V.2.7-119 is shown in Table 1 according to fractions for 1600 g sample (according to DSTU B V.2.7-89-99 [5] for evaluation of bitumen content and grading). Mix design (grading according to groups of mineral part and bitumen content) is shown in Table 2.

Table 1 – Design model grading

Remains on sieve	sieve size, mm											
	40	20	15	10	5	2,5	1,25	0,63	0,315	0,14	0,071	<0,071
Design control grading												
Partial, g	0,00	400,00	96,00	176,00	240,40	208,00	96,00	96,00	80,00	64,00	43,2	100,8
Partial, %	0,00	25,0	6,0	11,0	15,0	13,0	6,0	6,0	5,0	4,0	2,7	6,3
Less than this size	100,0	775,0	669,0	558,0	443,0	330,0	224,0	118,0	113,0	99,0	6,3	0,0

Table 2 – Mix design

Indicator	Amount, % from total mass
Aggregate (>5 mm)	57
Sand (2,5-0,071 mm)	36,7
Mineral powder (<0,071 mm)	6,3
Binder	4,4

To ensure production of samples in compliance with design (table 2), aggregate and stone residue were mechanically sieved according to fractions and washed (except from fractions less than 0.071 mm), dried to constant mass at temperature 105 °C. Mineral powder was sieved through 0.071 mm grid [7]. Part less than 0.071 mm is used. Prepared fractions of mineral materials were used for production of mineral mixture samples, every fraction was weighed in compliance with table 2 and with accuracy to 0.01g. For fractions less than 0.071 only sieved mineral powder was used.

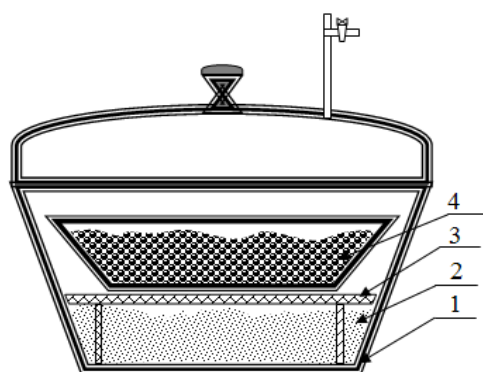
Checking the change of mineral part grading without bitumen. According to methodology calibrated mixture #1 was produced without bitumen. Then the mixture was burned in oven. Results of the tests for analysis of changes in grading for every fraction are shown in tables 3 and 4.

Table 3 – Change of grading for every fraction of mineral part (without bitumen) after burning

№ sample	remains on sieve	Sieve size, mm											
		40	20	15	10	5	2,5	1,25	0,63	0,315	0,14	0,071	<0,071
Design model grading before burning													
1	partial, %	0	25	6	11	15	13	6	6	5	4	2,7	6,3
Grading of mineral part after burning													
1.1.	partial, %	0	22,5	7,7	11,2	15,2	12,7	5,8	6,25	5	3,5	3	7,15
	deviation from model, %	0	2,5	-1,7	-0,2	-0,2	0,3	0,2	-0,25	0	0,5	-0,3	-0,85
1.2.	partial, %	0	24,9	5,96	11	14,6	13,1	5,5	6,2	5	3,8	3,1	6,84
	deviation from model, %	0	0,1	0,04	0	0,4	-0,1	0,5	-0,2	0	0,2	-0,4	-0,54
1.3.	partial, %	0	26,1	5,1	11	11,8	15,9	5,8	6,2	4,9	4	3,1	6,1
	deviation from model, %	0	-1,1	0,9	0	3,2	-2,9	0,2	-0,2	0,1	0	-0,4	0,2
1.4.	partial, %	0	25,2	5,9	10,6	12,9	15,6	5,7	6,2	4,8	3,8	3,3	6,1
	deviation from model, %	0	-0,2	0,1	0,4	2,1	-2,6	0,3	-0,2	0,2	0,2	-0,6	0,2
1.5.	partial, %	0	24,6	6,6	10,9	12,8	15,2	5,7	6,6	4,5	3,7	3,6	5,8
	deviation from model, %	0	0,4	-0,6	0,1	2,2	-2,2	0,3	-0,6	0,5	0,3	-0,9	0,5
1.6.	partial, %	0	23,3	7,9	10,7	12,2	16	5,9	6,4	4,6	3,7	3,6	5,8
	deviation from model, %	0	1,7	-1,9	0,3	2,8	-3	0,1	-0,4	0,4	0,3	-0,9	0,5
Total deviation, %		0	0,567	-0,527	0,1	1,75	-1,75	0,267	-0,308	0,2	0,25	-0,583	0,002

Table 4 – Changes in groups of mineral part grading (without bitumen) after burning

№ sample	Indicators	Content of mineral part, %		
		aggregate (>5 mm)	sand (2,5-0,071 mm)	mineral powder (<0,071 mm)
		Design model grading before burning		
1.	Content of components	57,00	36,70	6,30
Grading of mineral part after burning				
1.1.	Content of components	56,60	36,25	7,15
	deviation from model, %	0,40	0,45	-0,85
1.2.	Content of components	56,46	36,70	6,84
	deviation from model, %	0,54	0,00	-0,54
1.3.	Content of components	54,00	39,90	6,10
	deviation from model, %	3,00	-3,20	0,20
1.4.	Content of components	54,60	39,30	6,10
	deviation from model, %	2,40	-2,60	0,20
1.5.	Content of components	54,90	39,30	5,80
	deviation from model, %	2,10	-2,60	0,50
1.6.	Content of components	54,10	40,10	5,80
	deviation from model, %	2,90	-3,40	0,50
average deviation, %		1,89	-1,89	0,00



Picture 1 – Dessicator

1- Dessicator volume; 2 – calcium chloride (CaCl_2); 3 – ceramic stand with holes; 4 – mineral mixture sample.

Analysis of the results shows that the change in grading of the mineral part after burning in oven almost has not changed. Deviations observed match the experimental scatter.

Table 5 – Results of mass loss after drying samples of mineral mixtures

№ sample	Mass loss depending on drying temperature at temperature 170 °C			
	mass loss			
	g	%	Average, %	Variation, %
1	6,49	0,41	0,44	5,69
2	6,47	0,40		
3	7,14	0,47		

Results of evaluation mass loss of mineral part (without bitumen) after burning. Prepared samples of mineral mixture were burned in oven in accordance with method. The results are given in Table 6.

Table 6 - Results of mass loss of mineral part (without bitumen) after burning)

№ sample	mixture mass before burning, g	mixture mass after burning, g	mass loss, g	mass loss, %	average	variation, %
1	1605,31	1596,76	9,32	0,58	0,62	6,43
2	1601,44	1590,85	10,59	0,66		
3	1602,66	1592,81	9,85	0,63		

The results indicate that loss of mass after burning mineral part of asphalt mixture mainly occurs within the experimental scatter due to the removal of hygroscopic water. The difference between mass loss after burning and weight loss after drying of the mineral asphalt mixture is only 0,18%.

Checking changes of asphalt mixtures. Hot asphalt mixtures in the laboratory are produced according to method described in Section 4.3 DSTU B.V.2.7-89 hot technology: mineral materials (aggregate, sand, mineral powder) are dried and bitumen is de-watered.

Mineral materials in quantities specified in table 1 are weighed and put in tank, heated, mixed occasionally, until the temperature is 170°C, and add right amount of not heated mineral powder and bitumen BND 60/90 [8] heated in a separate container to a temperature 150°C. All components are thoroughly mixed until they are smooth, mixture must have temperature 155°C. The mixture is then placed in trays and burning method is carried out. Then amount of bitumen is defined according to methodology and grading is determined. In determining the amount of asphalt mixtures prepared in laboratory conditions take into account hygroscopic moisture of mineral asphalt mixtures and loss of bitumen due to its adhesion to the mixing equipment. The determination of loss due to adhesion of bitumen to the mixing equipment (containers in which mixing is done by hand with spatula) was performed by weighing the vessel before

filling it with components of asphalt mixture and weighing vessel after preparation of the mixture. Bitumen content after burning was determined by the formula:

$$B_B = (M_B + B_{\Pi}) - W_{\Gamma},$$

where B_B – redetermined amount of bitumen after burning;

M_B – actual amount of bitumen after burning %;

B_{Π} – amount of bitumen left in container, %;

W_{Γ} – hygroscopic moisture (table 2.5), %.

Amount of bitumen left in container is defined:

$$B_{\Pi} = ((M_{M\Pi}/M_{AB}) * 100) / (B/M\Pi),$$

where $M_{M\Pi}$ – weight of mastic, which remained in container due to adhesion;

M_{AB} – weight of prepared asphalt mixture;

B – design bitumen content, %;

$M\Pi$ – design amount of mineral powder, %.

The results of experiments in the laboratory showed average $B_{\Pi} = 0.26\%$. Obtained value of M_B is shown in Table 7.

Table 7 - results of mass loss by asphalt mixture after burning in oven.

№ sample	Mass before burning, g	Mass after burning, g	M_B , g	M_B , %	average M_B , %	variation, %
1	1663,73	1589,74	73,99	4,69	4,73	0,95
2	1661,75	1586,44	75,31	4,74		
3	1661,02	1585,92	75,1	4,77		

Based on experimental data, average amount of bitumen that is obtained by burning:

$$B_B = (M_B + B_{\Pi}) - W_{\Gamma} = (4,73 + 0,26) - 0,44 = 4,55 \%$$

Design bitumen content is 4.40%. The difference between these data is 0.15%, which is less than the experimental scatter.

The test results are shown in Table 8 for the analysis of changes in grading of asphalt mixture for each fraction, and in Table 9 for the analysis of changes in the main components of the mineral (aggregate, sand, mineral powder).

Table 8 – Change of mineral part grading with bitumen after burning

№ sample	remains on sieve	sieve size, mm											
		40	20	15	10	5	2,5	1,25	0,63	0,315	0,14	0,071	<0,071
		Design model grading											
1	partial, %	0	25	6	11	15	13	6	6	5	4	2,7	6,3
		Grading of mineral part with bitumen after burning											
1.1.	partial, %	0	27,3	3,9	7,7	17,8	13	6	6,2	5	3,7	3,3	6,1
	deviation from model, %	0	-2,3	2,1	3,3	-2,8	0	0	-0,2	0	0,3	-0,6	0,2
1.2.	partial, %	0	22,7	7,8	11,3	15,3	12,8	5,8	6,3	5	3,5	3	6,4
	deviation from model, %	0	2,3	-1,8	-0,3	-0,3	0,2	0,2	-0,3	0	0,5	-0,3	-0,1
1.3.	partial, %	0	25,1	6	11,1	14,7	13,2	5,5	6,3	5	3,8	3,1	6
	deviation from model, %	0	-0,1	0	-0,1	0,3	-0,2	0,5	-0,3	0	0,2	-0,4	0,3

Table 9 – Change of mineral part grading with bitumen after burning

№ sample	Indicators	Content of mineral part, %		
		aggregate (>5 mm)	sand (2,5-0,071 mm)	mineral powder (<0,071 mm)
Design model grading before burning				
1.	Content of components	57,00	36,70	6,30
Grading of mineral part after burning				
1.1.	Content of components	56,7	37,2	6,1
	deviation from model, %	0,3	-0,5	0,2
1.2.	Content of components	57,1	36,6	6,3
	deviation from model, %	-0,1	0,1	0
1.3.	Content of components	57	37	6
	deviation from model, %	0	-0,3	0,3

Analysis of results shows that change in grading of asphalt mixture after burning in oven has not changed. Deviations observed match experimental scatter.

Conclusions. Conducted researches of grading changes of mineral part without bitumen after burning, grading changes of asphalt mixture after burning showed that the method of burning is an effective method of quality assurance during asphalt concrete mixture testing to determine its grading and bitumen content.

REFERENCES

1. Sjun'i G.K., and others. Developing of express methods of asphalt mixture quality estimation. Scientific report №19-II-73. K.: KADI. 1973. 34 p. (Rus)
2. Sjun'i G.K., and others. Developing of express methods of asphalt mixture quality estimation. Scientific report №19-II-74. K.: KADI. 1974. 105 p. (Rus)
3. Syunyi H.K., Kyruchenko Ya.A., Kravtsov V.P. Accelerated methods of asphalt mixture quality estimation.//Avtomobilni dorohy i dorozhnye budivnytstvo. № XVII, 1976. p.79-83(Ukr)
4. Asphaltic concrete mixtures for roads and aerodromes, concrete mixtures for road, asphaltic concrete. Methods of testing. DSTU B V.2.7 -119-2003. [valid from 1999 – 10 - 13]. K.:2003. 20p. (Ukr)
5. Materials based on organic binders for road and aerodrome building. Methods of testing. DSTU B.V.2.7-89-99. [valid from 1999 – 10 - 13] K.:1999. 43p. (Ukr)
6. Asphaltic concrete mixtures for roads and aerodromes, concrete mixtures for road, asphaltic concrete and concrete. Methods of testing. GOST -12801-71. [replaced 1985 – 01 - 01] M.:1971. 47p. (Rus)
7. Building materials. Mineral filler for asphalt concrete mixtures. Specification. DSTU B V.2.7-121-2003. [valid from 2003 – 07 - 01]. K.:2003. 16p. (Ukr)
8. Viscous petroleum road bitumens. Specifications. DSTU 4044-2001. [valid from 2002 – 01 - 01]. K.:2001. 15p. (Ukr)

ПЕРЕЛІК ПОСИЛАНЬ

1. Сюньї Г.К., и др. Розробка експрес-методов оцїнки якостї асфальтобетона. Научний отчет по темї №19-II-73. - К.: КАДИ. 1973. – 34 с.
2. Сюньї Г.К., и др. Розробка експрес-методов оцїнки якостї асфальтобетона. Научний отчет по темї №19-II-74. - К.: КАДИ. 1974. – 105 с.
3. Сюньї Г.К., Кириченко Я.А., Кравцов В.П. Прискоренї методи оцїнки якостї асфальтового бетону.//Автомобільні дороги і дорожнє будівництво. – № XVII, 1976 – с.79-83
4. Сумїші асфальтобетонні і асфальтобетон дорожній та аеродромний. Технічні умови. ДСТУ Б.В.2.7-119-2003 – [Чинний від 2003 – 02 - 25]. - К.:2003 - 20с. (Укравтодор)
5. Матеріали на основі органічних в'язучих для дорожнього і аеродромного будівництва. Методи випробувань. ДСТУ Б.В.2.7-89-99 – [Чинний від 1999 – 10 - 13]. – К.:1999 - 43с. (Укравтодор)
6. Смеси асфальтобетонные дорожные и аэродромные, дегтебетонные дорожные, асфальтобетон и дегтебетон. Методы испытаний. ГОСТ 12801-71 – [Замінений 1985 – 01 - 01] – М.:1971 - 47с.

7. Порошок мінеральний для асфальтобетонних сумішей. Технічні умови. ДСТУ Б В.2.7-121-2003 – [Чинний від 2003 – 07 - 01]. – К.:2003 - 16с. (Укравтодор)
8. . Бітуми нафтові дорожні в'язкі. Технічні умови. ДСТУ 4044-2001 – [Чинний від 2002 – 01 - 01] – К.:2001 - 15с. (Укравтодор)

ABSTRACT

Mozgovyy V.V., Onyshchenko A.M., Baran S.A., Aksenov S.J., Kutsman O.M., Olkhovyy B.Y. Quality assurance during asphalt concrete mixture testing to determine its grading and bitumen contents. Management of projects, systems analysis and logistics. Kyiv. National Transport University. 2013. Vol. 11.

The paper analyzed the existing methods for determining grading of asphalt mixtures and asphalt content determination. Laboratory studies have been conducted to study the quality of assurance testing asphalt mixtures to determine its grading and content of bitumen. To determine this change in grading of the mineral mixture without the addition of asphalt bitumen by burning in a muffle furnace and compared to the original composition of the mineral part, determined by the mass loss of the mineral asphalt mixture (without bitumen) after firing, checked the change in the composition of asphalt mixture after burning.

KEYWORDS: GRADING, BITUMEN CONTENT, ASPHALT CONCRETE MIXTURE, BURNING

РЕФЕРАТ

Мозговий В.В. Забезпечення якості випробувань асфальтобетонної суміші при визначенні її зернового складу та вмісту бітуму./ Мозговий В.В., Онищенко А.М., Баран С.А., Аксьонов С.Ю., Куцман О.М., Ольховий Б.Ю.//Управління проектами, системний аналіз і логістика. – К.: НТУ – 2013. – Вип.11

В статті було проаналізовано існуючі методи визначення зернового складу асфальтобетонних сумішей, а також визначення вмісту бітуму. Було проведено лабораторні дослідження по вивченню забезпечення якості випробувань асфальтобетонної суміші при визначенні її зернового складу та вмісту бітуму. Для цього визначали зміну зернового складу мінеральної частини асфальтобетонної суміші без додавання бітуму, шляхом прожарювання в муфельній печі і порівнянням з початковим складом мінеральної частини, визначали втрати маси мінеральної частини асфальтобетонної суміші (без бітуму) після випалювання, перевіряли зміну складу асфальтобетонної суміші після випалювання.

КЛЮЧОВІ СЛОВА: ЗЕРНОВИЙ СКЛАД, ВМІСТ БІТУМУ, АСФАЛЬТОБЕТОННІ СУМІШІ, МЕТОД ВИПАЛЮВАННЯ

РЕФЕРАТ

Мозговой В.В. Обеспечение качества испытаний асфальтобетонной смеси при определении ее зернового состава и количества битума./ Мозговой В.В., Онищенко А.М., Баран С.А., Аксенов С.Ю., Куцман А.М., Ольховый Б.Ю.//Управление проектами, системный анализ и логистика. – К.: НТУ – 2013. – Вып.11

В статье были проанализированы существующие методы определения зернового состава асфальтобетонных смесей, а также определения содержания битума. Было проведено лабораторные исследования по изучению качества испытаний асфальтобетонной смеси при определении ее зернового состава и содержания битума. Для этого определяли изменение зернового состава минеральной части асфальтобетонной смеси без добавления битума путем прокаливания в муфельной печи и сравнением с первоначальным составом минеральной части, определяли потери массы минеральной части асфальтобетонной смеси (без битума) после обжига, проверяли изменения состава асфальтобетонной смеси после выжигания.

КЛЮЧЕВЫЕ СЛОВА: ЗЕРНОВОЙ СОСТАВ, КОЛИЧЕСТВО БИТУМА, АСФАЛЬТОБЕТОННЫЕ СМЕСИ, МЕТОД ВИЖИГАННЯ

АВТОРИ:

Мозговий Володимир Васильович, доктор технічних наук, професор, Національний транспортний університет, завідувач кафедри дорожньо-будівельних матеріалів і хімії, e-mail: mozgoviy@gmail.com, тел. +380442859528, Україна, 01010, м. Київ, вул. Суворова 1, к. 317.

Онищенко Артур Миколайович, кандидат технічних наук, Національний транспортний університет, докторант кафедри дорожньо-будівельних матеріалів і хімії, e-mail: artur_onish@bigmir.net, тел. +380442859528, Україна, 01010, м. Київ, вул. Суворова 1., к. 317.

Баран Сергій Анатолійович, Національний транспортний університет, асистент кафедри дорожньо-будівельних матеріалів і хімії, тел. +380442859528, Україна, 01010, м. Київ, вул. Суворова 1, к. 317

Аксьонов Сергій Юрійович, Національний транспортний університет, молодший науковий співробітник кафедри дорожньо-будівельних матеріалів і хімії, тел. +380442859528, Україна, 01010, м. Київ, вул. Суворова 1, к. 317

Куцман Олександр Михайлович, Національний транспортний університет, асистент кафедри дорожньо-будівельних матеріалів і хімії, тел. +380442859528, Україна, 01010, м. Київ, вул. Суворова 1, к. 317

Ольховий Богдан Юрійович, Національний транспортний університет, молодший науковий співробітник кафедри дорожньо-будівельних матеріалів і хімії, e-mail: b.olkhovyy@gmail.com, тел. +380442859528, Україна, 01010, м. Київ, вул. Суворова 1., к. 317.

AUTHOR:

Mozgovyy Volodymyr V., Doctor of science, professor, National Transport University, chairman of road building materials and chemistry department, e-mail: mozgoviy@gmail.com, tel. +380442859528, Ukraine, 01010, Kyiv, Suvorova str.1, of 317.

Onyshchenko Arthur M., Candidate of science, National Transport University, doctoral student of road building materials and chemistry department, e-mail: artur_onish@bigmir.net, tel. +380442859528, 01010 Ukraine, 01010, Kyiv, Suvorova str.1, of 317.

Baran Sergiy A., National Transport University, professor assistant of road building materials and chemistry department, tel. +380442859528, Ukraine, 01010, Kyiv, Suvorova str.1, of 317.

Aksenov Sergiy Y., National Transport University, research scientist of road building materials and chemistry department, tel. +380442859528, Ukraine, 01010, Kyiv, Suvorova str.1, of 317.

Kutsman Oleksandr M., National Transport University, professor assistant of road building materials and chemistry department, tel. +380442859528, Ukraine, 01010, Kyiv, Suvorova str.1, of 317.

Olkhovyy Bogdan. Y., National Transport University, research scientist of road building materials and chemistry department, b.olkhovyy@gmail.com, tel. +380442859528, Ukraine, 01010, Kyiv, Suvorova str.1, of 317.

АВТОРЫ :

Мозговой Владимир Васильевич, доктор технических наук, профессор, Национальный транспортный университет, заведующий кафедрой дорожно-строительных материалов и химии, e-mail: mozgoviy@gmail.com, тел. +380442859528, Украина, 01010, г. Киев, ул. Суворова 1, к. 317.

Онищенко Артур Николаевич, кандидат технических наук, Национальный транспортный университет, докторант кафедры дорожно-строительных материалов и химии, e-mail: artur_onish@bigmir.net, тел. +380442859528, Украина, 01010, г. Киев, ул. Суворова 1., к. 317.

Баран Сергей Анатоліевич, Национальный транспортный университет, асистент кафедры дорожно-строительных материалов и химии, тел. +380442859528, Украина, 01010, г. Киев, ул. Суворова 1., к. 317

Аксенов Сергей Юрьевич, Национальный транспортный университет, младший научный сотрудник кафедры дорожно-строительных материалов и химии, тел. +380442859528, Украина, 01010, г. Киев, ул. Суворова 1., к. 317

Куцман Александр Михайлович, Национальный транспортный университет, асистент кафедры дорожно-строительных материалов и химии, тел. +380442859528, Украина, 01010, г. Киев, ул. Суворова 1., к. 317

Ольховый Богдан Юрьевич, Национальный транспортный университет, младший научный сотрудник кафедры дорожно-строительных материалов и химии, e-mail: b.olkhovyy@gmail.com, тел. +380442859528, Украина, 01010, г. Киев, ул. Суворова 1., к. 317

РЕЦЕНЗЕНТИ:

Гоц В.І., доктор технічних наук, професор, Київський національний університет будівництва і архітектури, декан будівельно-технологічного факультету, Київ, Україна.

Славінська О.С., доктор технічних наук, професор, Національний транспортний університет, декан дорожньо-будівельного факультету, Київ, Україна.

REVIEWER:

Goc V.I., Doctor of science, professor, Kyiv National University of building and architecture, dean of building-technology faculty, Kyiv, Ukraine.

Slavinska O.S., Doctor of science, professor, National Transport University, dean of road building faculty, Kyiv, Ukraine.