

15. Balatskiy O.F., Kislyy V.N., Shvindina A.A. (2010) *Metody resheniya ekologicheskikh problem* [Methods of solving ecological problems. Edited by Melnik L.G., Shkarlupa Ye.V.]. Sumy: SumGU Publ., 663 p.

16. Fedoseev S.V. (2003) *Strategicheskij potentsial bazovykh otrasley promyshlennosti* [Strategic potential of key branches of the industry]. Apatity: KNTs RAN, 268 p.

17. *Obshchestvennaya otsenka ekologicheskoy politiki v Ukraine* (2003) [Public assessment of ecological policy in Ukraine], Kyiv, 130 p.

18. *Dovkillia Ukrainy 2011. Statystychnyi zbirnyk* [Environment of Ukraine. Statistical selection]. Kyiv, 2010, 201 p.

19. Larionova N. *Utilizatsiya metana: frantsuzam v Donetske dali gazu* (2010) [Methane utilization: French in Donetsk given gas]. Available at : <http://www.ugmk.info/art/utilizacija-metana-francuzam-v-donecke-dali-gazu.html> (accessed January 21, 2013)

© . . . , . . . , 2013

. . . , . . . ,

Reviewer

.V. Zakharova
 Doctor of Economic Sciences, Professor
 Donetsk National Technical University, Donetsk, Ukraine

504.75 (075)

. . . *

* Svyatokho N. V. – Candidate of Economic Sciences, associate professor, Management Department, National academy of environmental protection and resort development, Simferopol, Ukraine. svyatokho@yandex.ua

N. V. Svyatokho

FORMALIZATION OF THE PROCESS OF FORMING THE ENVIRONMENTAL MANAGEMENT INSTRUMENTS OF INDUSTRIAL ENTERPRISES

Introduction: In order to ensure sustainable development of industrial enterprise it is necessary to create environmental management instruments, which are part of an environmental information system and must operate within the environmental management system. Therefore, it is important to identify all the components of the process of forming of environmental management instruments of industrial enterprise through its formalization. **Aims and Objectives:** Description of processes and procedures, information flows, centres of responsibility, functions, complex tasks and management tasks associated with the formation of environmental management instruments. **Methods:** analysis, synthesis, the method for grouping, graphical and tabular methods, logical and comparative analysis. **Results:** The essence of environmental management instruments of industrial enterprise, their list and the necessity of their formalization for the sake of modelling of ecological situation are updated, forecasting and localization of potential environmental impact, which is the basis of development and implementation of a number of preventive measures. Within the formalization of the process of forming of environmental management instruments of industrial enterprise allocated processes and procedures, information flows, responsibility centres, functions, complexes of tasks and management tasks associated with such a formation. **Conclusions:** Within formalization of environmental management instruments of industrial enterprise is defined sequence of their formation in the framework of implementing environmental management systems, procedures, resources, provision of information, the form of representation, background information, etc. that can be used in industrial enterprise to improve the efficiency of using tools of environmental management.

Key words: industrial enterprise, environmental management, environmental management instruments, formalization, the environmental management system.

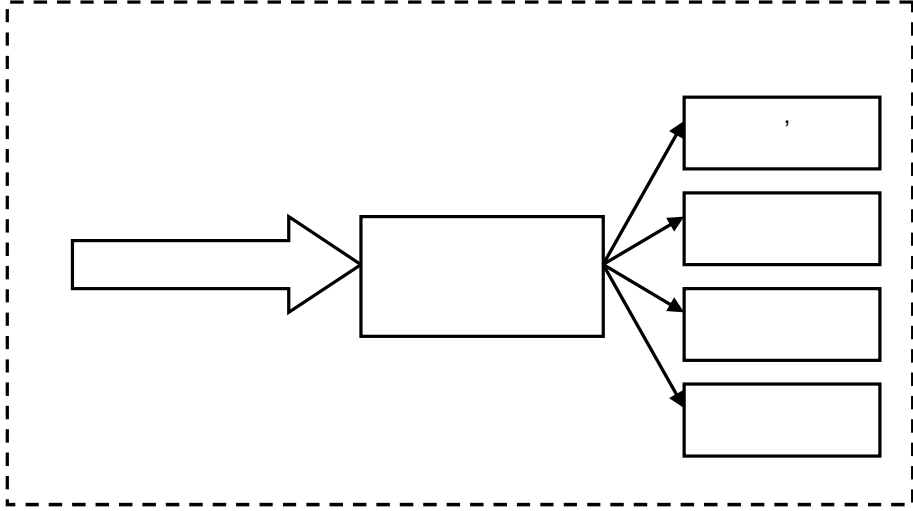
()

([11], [11], [9], [8], [11], [3], [4], [5], [6], [2], [7]).

[10].

[10].

.1.



.1.

« » « »,

« » , ,

, - - ,

,

,

,

,

,

,

,

,

, (

),

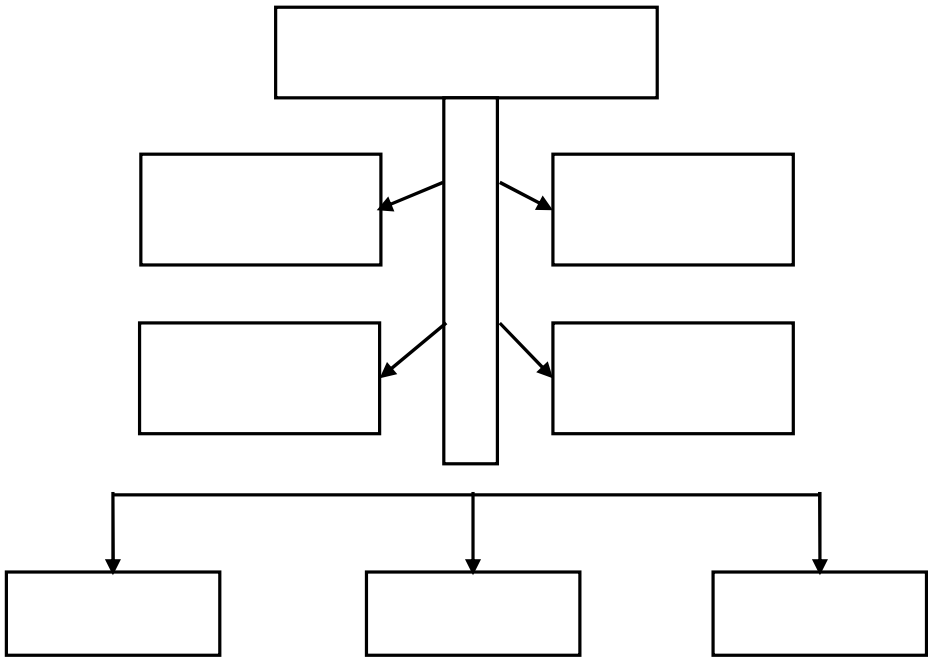
, ,

,

, (.2).

,

().



. 2.

[13]

... () ...) ...

[1].

... 1 ...

... () ...

1

-	
-	
	/
	-

2

[1].

2

-		-
-		-
-		-
		-
		-

	,	
-	,	,
	,	-
-	,	-

: a)

1. ISO14004. — 2- 15.11.2004. — .: -
2. // . 1998. — 9 — .65-73. /
3.) / . — : (-
4. , 2000. — 280 . / . —
5. , 1998. — 550 c. : [] / . — .: ,
2008. — 608 .
6. — /
2004. — 222 . : - "
7. " , 2007. — 430 . / . . — .:

8. : [] / — : " , 2002. — 314 .
9. : [] / — : " , 2007. — 1120 .
10. : <http://tolkslovar.ru/f2276.html>
11. — : , 2003. — 544 .
12. / „ - , 2004. — 248 .
13. / [. . . .] . — : , 2005. — 496 .

References

1. ISO14004 : 2004. *Environmental management systems – general guidelines on principles, systems and support techniques*. oscow : lzd-v standartov, 2005. 55 p. (in Russ.)
2. Veklych O. *Ekonomika Ukrainy*, 1998, no. 9, pp. 65–73.
3. Galushkina T.P. *Ekonomicheskiye instrumenty ekologicheskogo menedzhmenta (teoriya i praktika)* [Economic instruments of environmental management (theory and practice)]. Odessa : Institut problem rynka i ekonomiko-ekologicheskikh issledovaniy NAN Ukrainy, 2000. 280 p.
4. Girusov E.V. *Ekologiya i ekonomika prirodopolzovaniya* [Ecology and environmental economics]. oscow: Zakon i pravo, YUNITI, 1998. 550 p.
5. Glukhov V.V. *Osnovy menedzhmenta* [Principles of Management]. Saint-Petersburg: Piter, 2008, 608 p.
6. Kirsanova T.A., Kirsanova Ye.V., Lukyanikhin V.A. *Ekologicheskyy controlling – instrument ekomenedzhmenta* [Controlling environmental – environmental management instrument], Sumy : Kozatskyi val Publ., 2004. 222 p.
7. Kozhushko L.F., Skrypchuk P.M. *Ekolohichnyi menedzhment* [Environmental management]. yiv : Vydavnychiy tsentr " kademiia", 2007. 430 p.
8. Lukyanikhin V.O. *Ekolohichnyi menedzhment u systemi upravlinnia zbalansovanyym rozvytkom* [Environmental management in the system of balanced development]. Sumy : V D "Universytetska knyha", 2002. 314 p.
9. Melnik L.G., Khens L. *Sotsialno-ekonomicheskyy potentsial ustoychivogo razvitiya* [Socio-economic potential of sustainable development]. Sumy : I D "Universitetskaya kniga", 2007. 1120 p.
10. *bshchiy tolkovyi slovar russkogo yazyka* [Common Dictionary of Russian language]. Available at : <http://tolkslovar.ru/f2276.html>
11. Pakhomova N.V., Endres ., Rikhter . *Ekologicheskyy menedzhment* [Environmental management]. Saint-Petersburg: Piter, 2003. 544 p.
12. Dayman S.Yu., Ostrovkova .V., Zaika . ., Sokornova .V. *Sistemy ekologicheskogo menedzhmenta dlya praktikov* [Environmental management system for practitioners]. oscow : lzd-v RkhTU im. D.I. Mendelejev , 2004. 248 p.
13. Petrov .N. *Strategicheskyy menedzhment* [Strategic management]. Saint-Petersburg: Piter, 2005. 496 p.

© . . . , 2013

Reviewer

V. M. Yachmeneva
 Doctor of Economic Sciences, Professor
 National academy of environmental protection and resort development, Simferopol, Ukraine